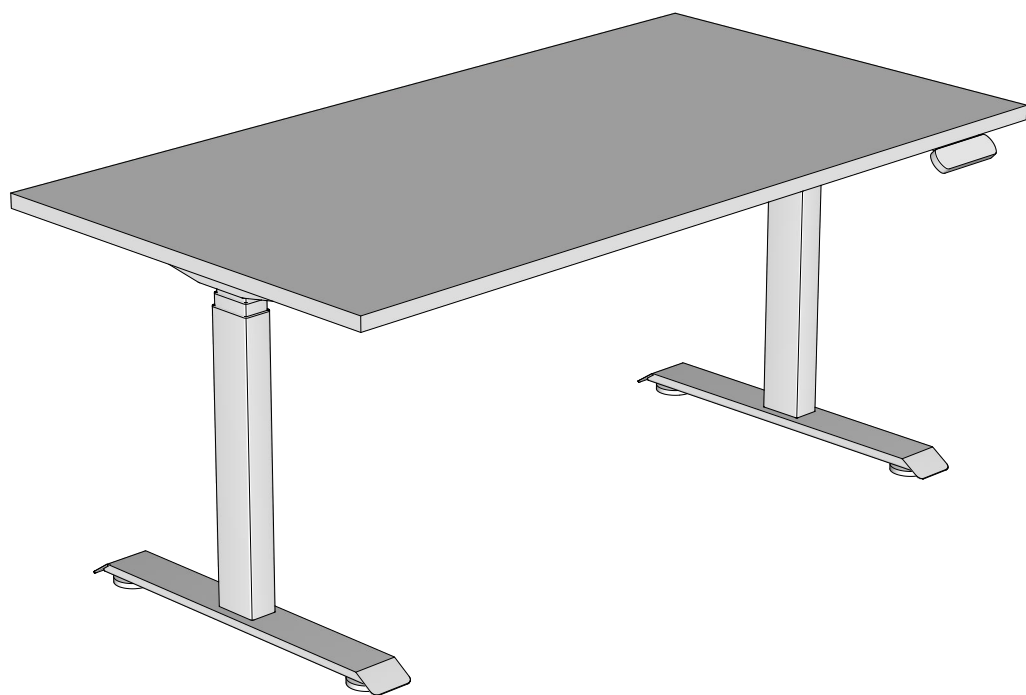




# Haven Electric - Single Sided (SSD)

## Assembly Guide



### Need a hand?

Contact us at [info@knightgroup.co.nz](mailto:info@knightgroup.co.nz) or 0800 143 143 for assistance.

[knightgroup.co.nz](http://knightgroup.co.nz)

# Thank you for purchasing Knight product.

Please carefully read the assembly instructions prior to installment to gain a complete understanding of the product.  
It provides you with important information about the safety, use, installation and maintenance.

WARNING: FAILURE TO COMPLY WITH OR OBSERVE ALL ASSEMBLY, SAFETY AND OPERATION INSTRUCTIONS REGARDING THE USE OF THIS PRODUCT MAY RESULT IN SERIOUS BODILY INJURY.

## Safety

- The product must be used in a safe manner. Inappropriate use may cause damage to the product and/or cause bodily harm to the user or persons nearby.
- Don't locate furniture in direct sunlight or near air-conditioning inlet or heating radiator.
- Don't put high-temperature or frozen objects on furniture.
- Safely carry product to location of assembly.
- Retain this operation manual and pass it on to any future owner.

## Set Up and Installation

- Assemble the product according to the assembly instructions.
- To prevent possible scratches or damage, assemble the product on a soft surface such as a blanket, carpet or packaging.
- Place the product a safe distance from window frames, radiators, furniture etc. so that persons cannot become trapped.

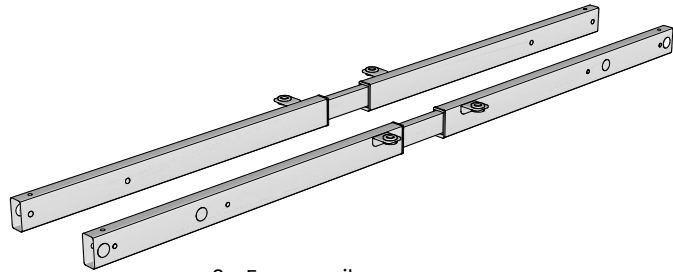
Due to continuous improvement of our products, our assembly instructions may not be in complete accordance with the product and we apologise in advance.

**Any questions contact Knight on 0800 143 143**

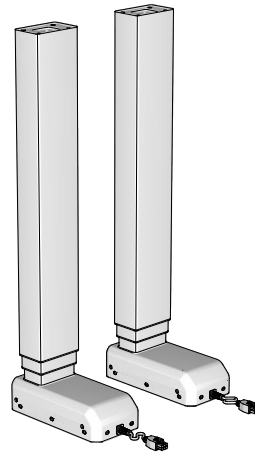


**Tools Required:** Powered Screwdriver

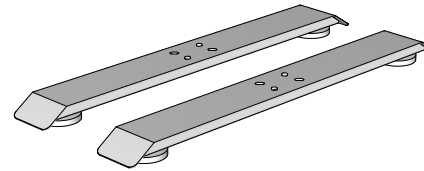
# Haven Electric SSD - Parts



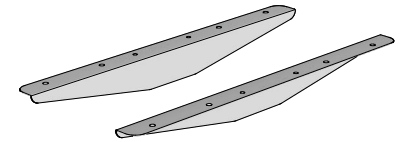
2 x Frame rails



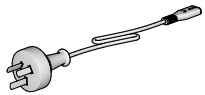
2 x Leg with motor



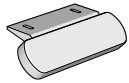
2 x Foot with Levelling Feet



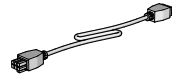
1 x L&R Support Bar (pair)



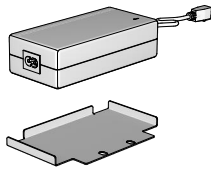
1 x Power Cord



1 x Handset



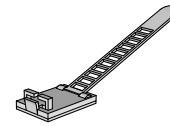
1 x Extension Cable



1 x Power Box with Tray



8 x Screw Guide



6 x Cable Clip



8 x M6x16



8 x M6x10



4 x M6x8



12 x ST4.8x16



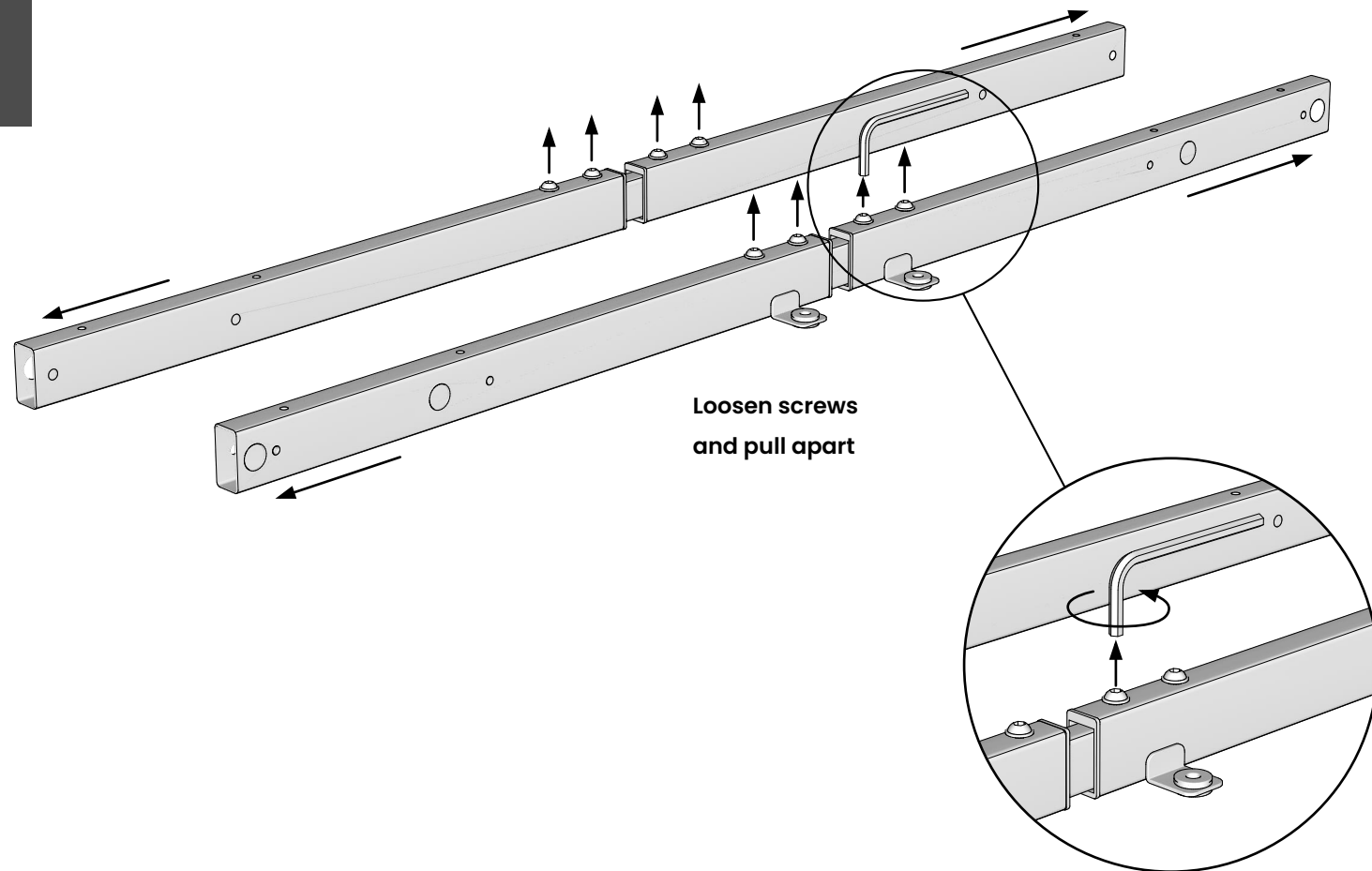
2 x ST3.5x16



4 x Rubber Washer

# Step 1

Don't plug in the desk until handset & power box are mounted on to the desk top. It might cause errors.



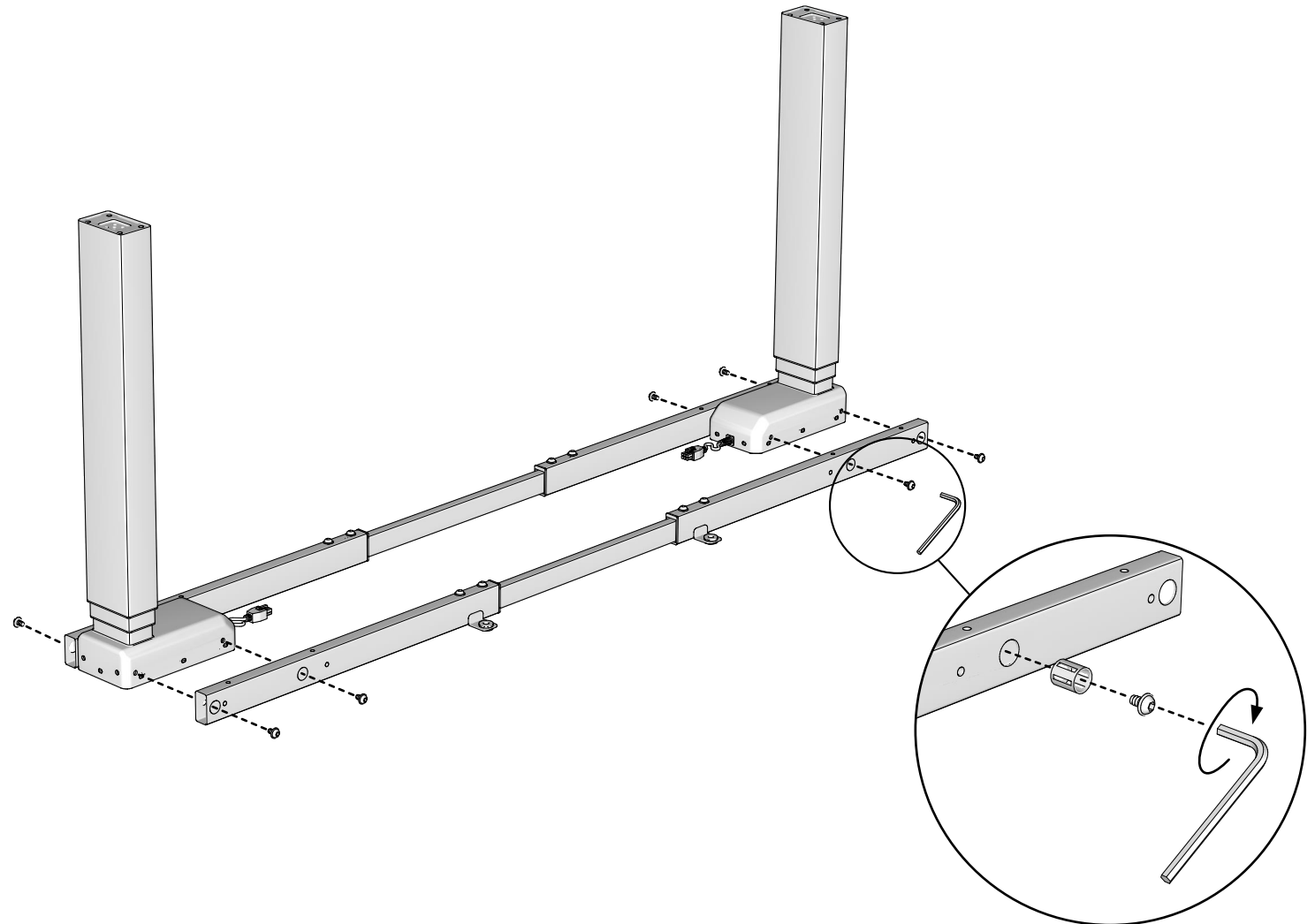
## Step 2



8 x M6x10



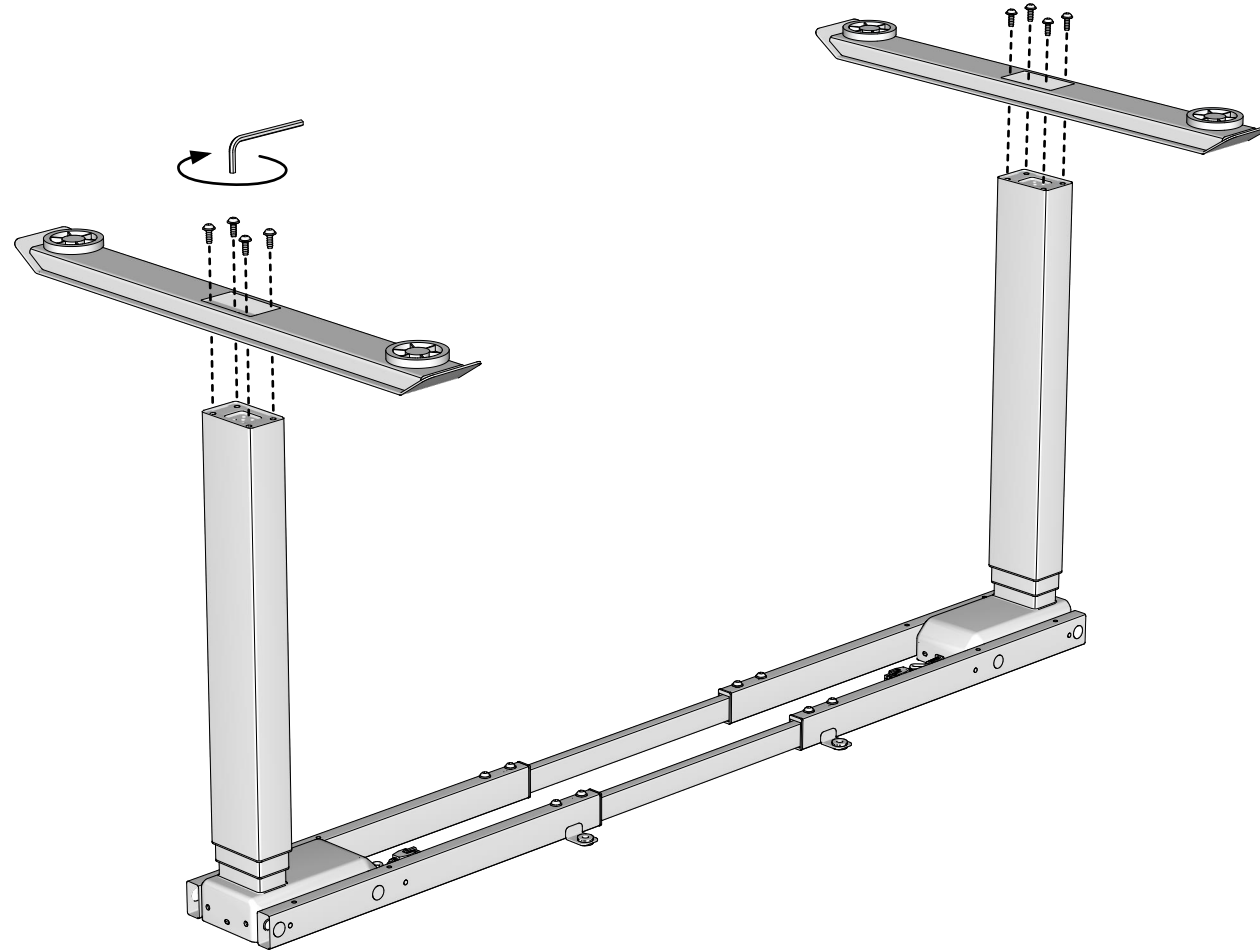
Screw Guide



# Step 3



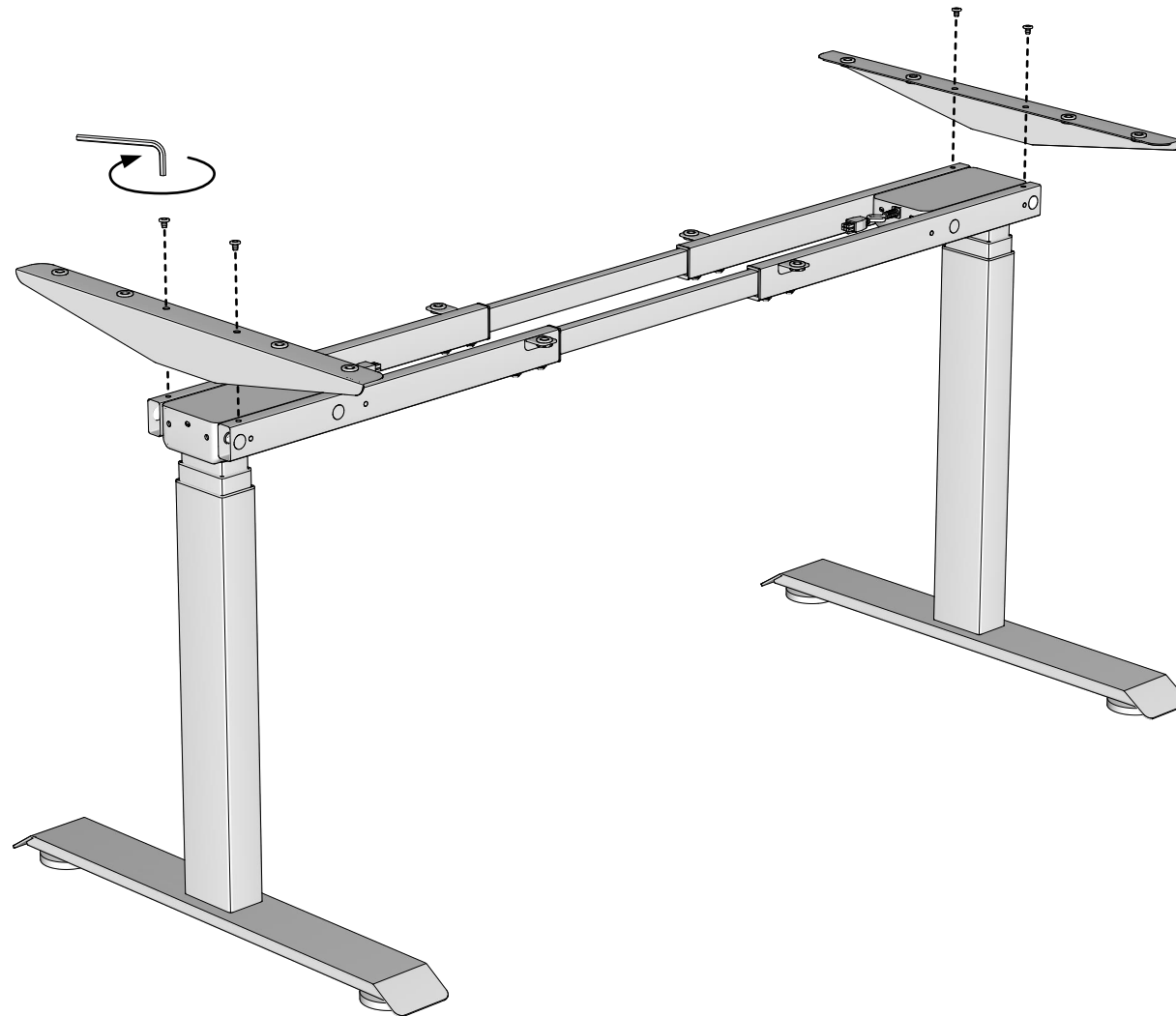
8 x M6x16



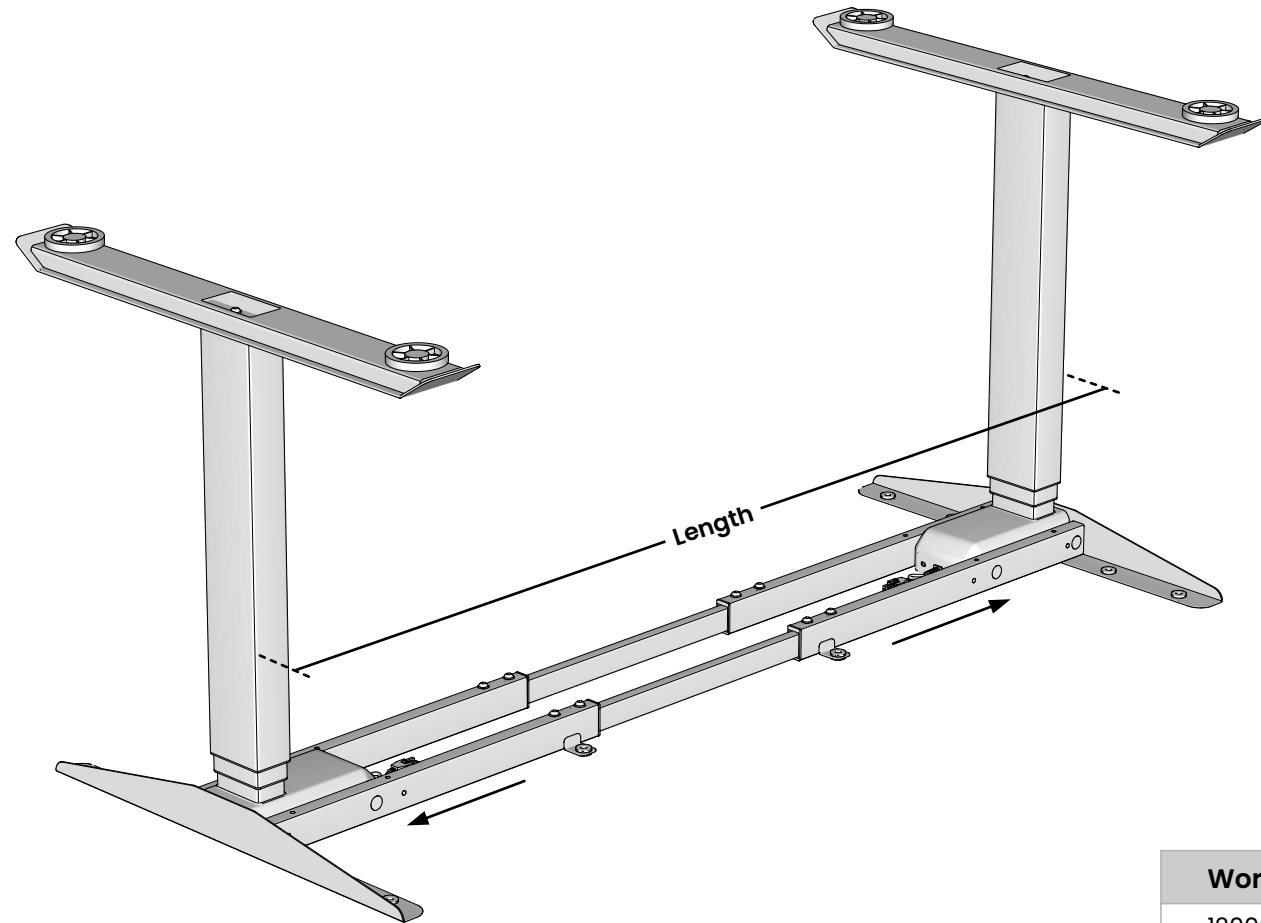
# Step 4



4 x M6x8

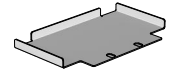
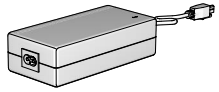


# Step 5

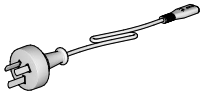


Worktop	Length
1200mm	1150mm
1500mm	1400mm
1600mm	1500mm
1800mm	1600mm

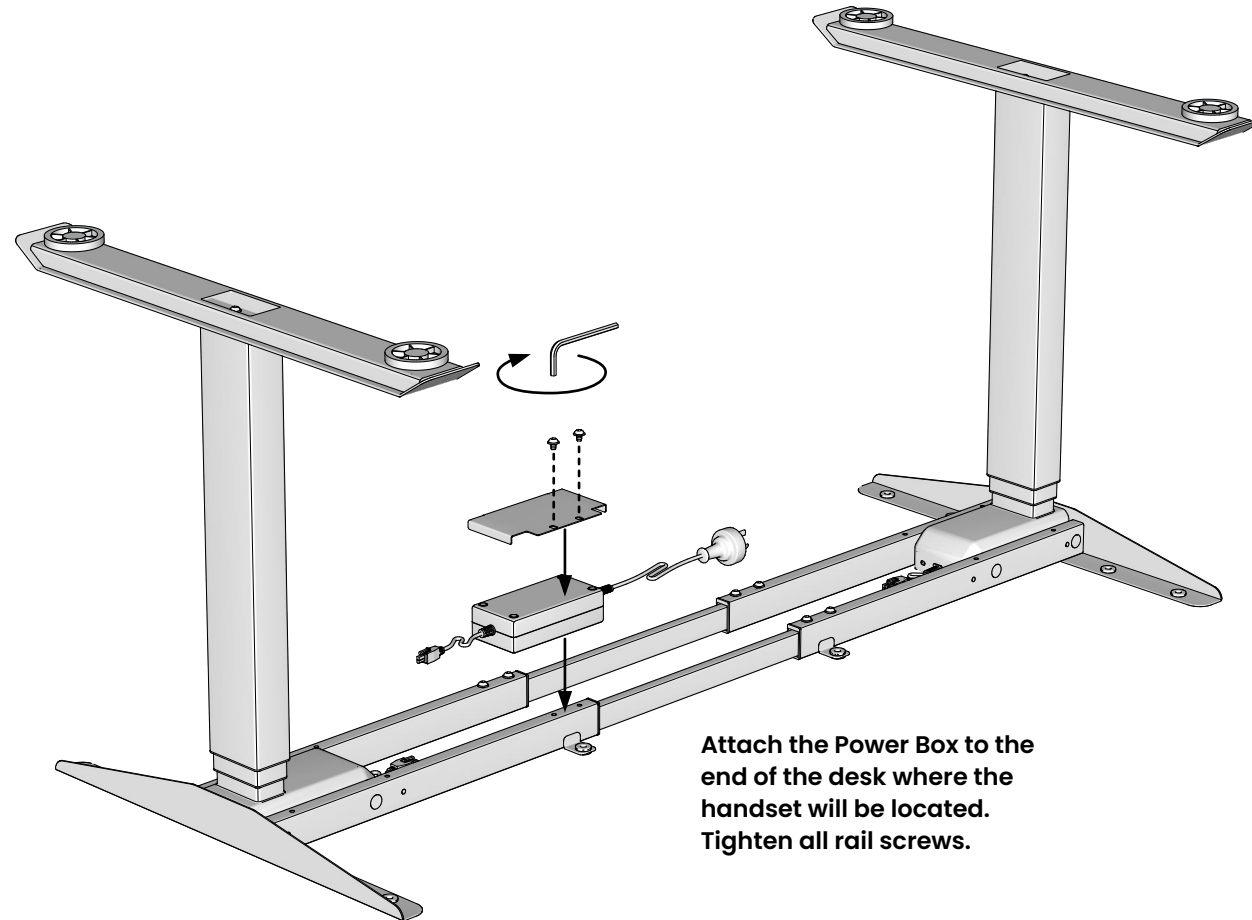
## Step 6



1 x Power Box with Tray



1 x Power Cord

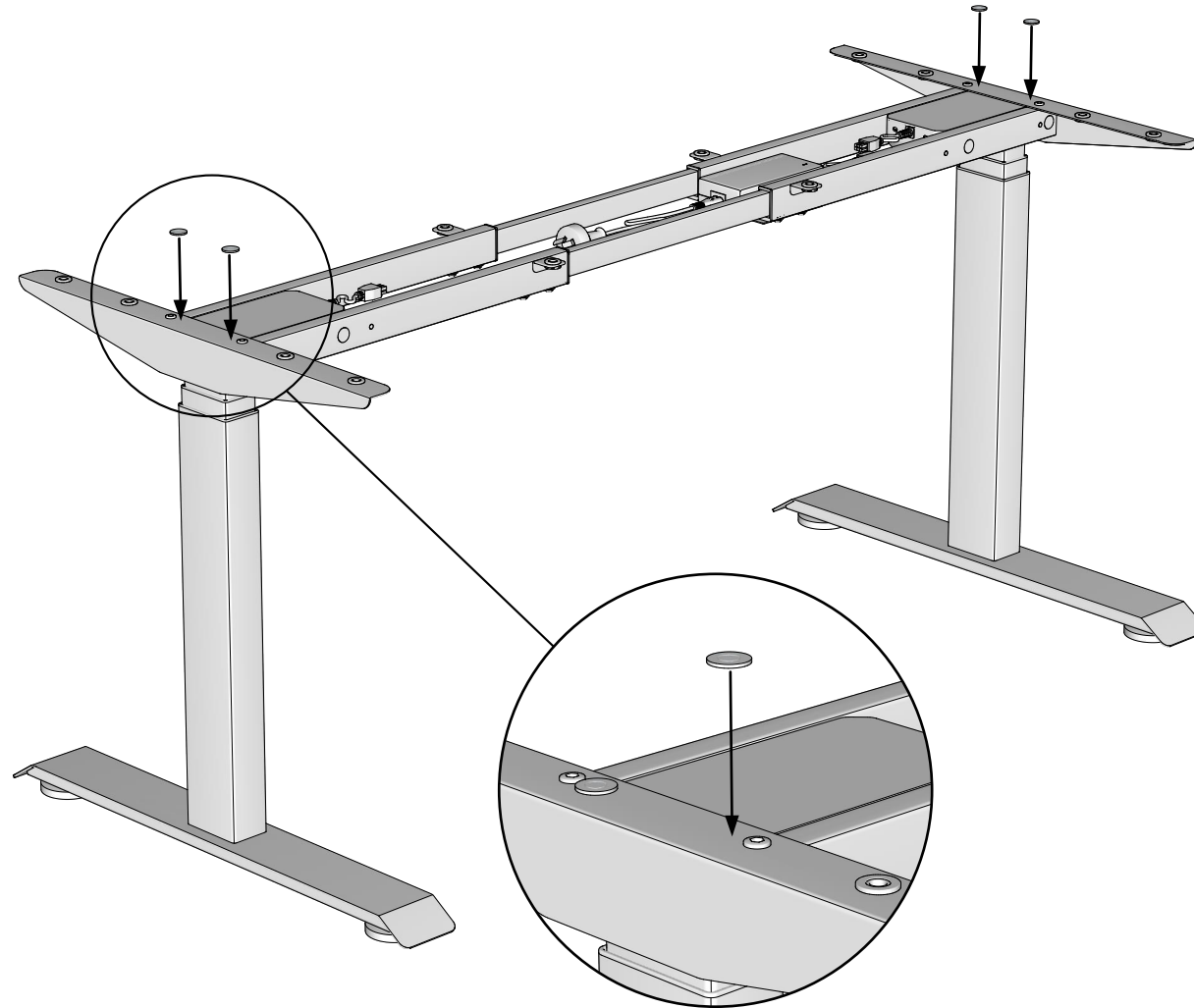


**Attach the Power Box to the end of the desk where the handset will be located. Tighten all rail screws.**

# Step 7



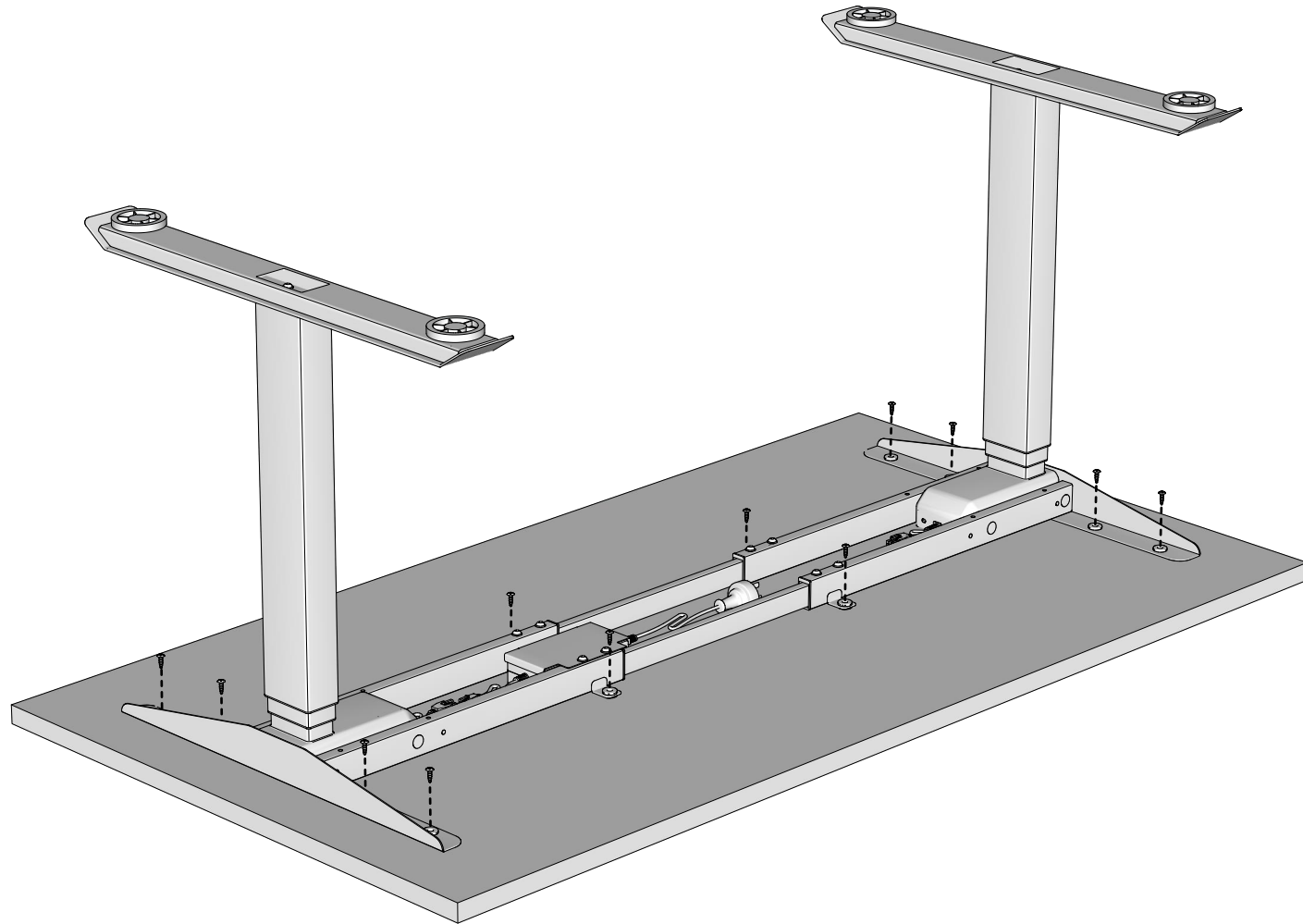
4 x Rubber Washer



# Step 8



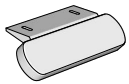
12 x ST4.8x16



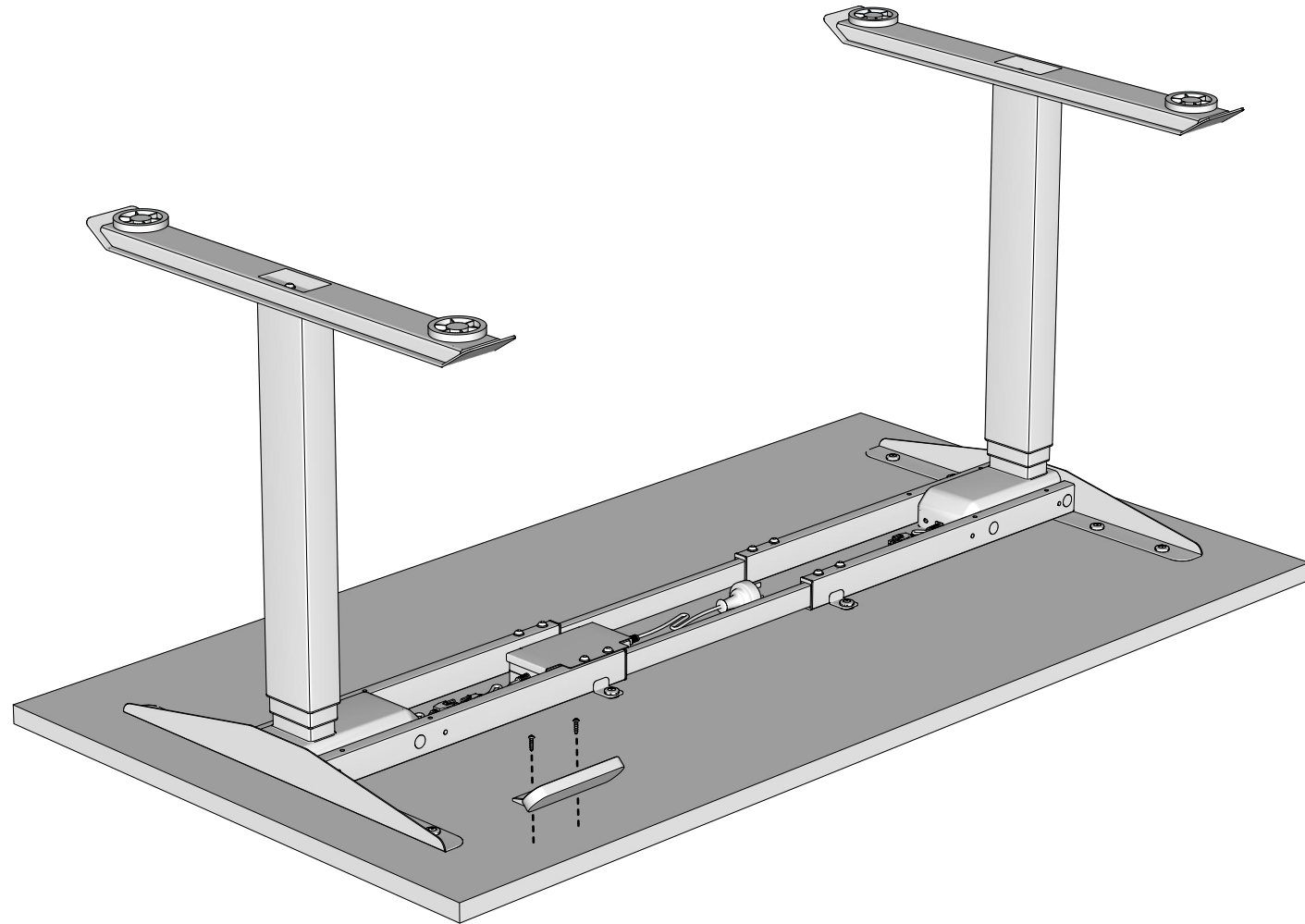
# Step 9



2 x ST3.5x16



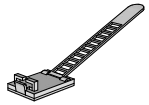
1 x Handset



# Step 10



1 x Extension  
Cable



Cable Clip

